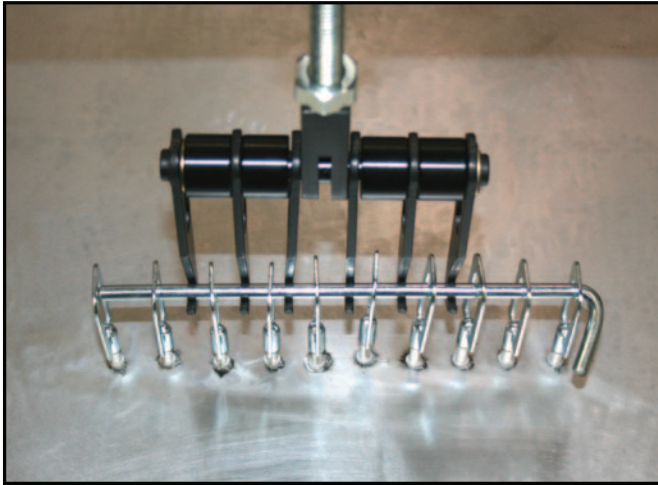


# PRO SPOT

## Pull Bar

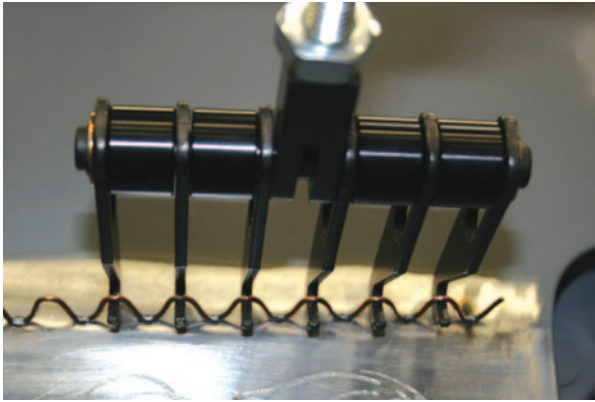
Dent Pulling System PB-10



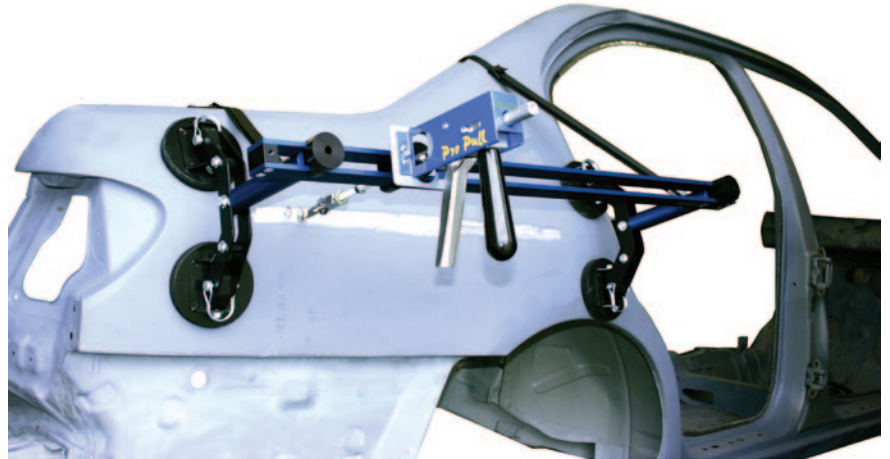
Designed for both aluminum & steel dent pulling. Our new Pull Bar features a 4 & 6 Jaw clamp, and adjustable foot swivel pads for mounting both vertically & horizontally. The dent pull bar makes dent pulling extremely easy, quick & accurate. The pull bar can also adapt to the Pro Pull system for isolated dent pulling.



## Features



Wiggle wire dent pulling.  
Wiggle wire (optional) 50-0508



4 & 6 Jaw clamp, and adjustable foot swivel pads for mounting both vertically & horizontally.

## Accessories



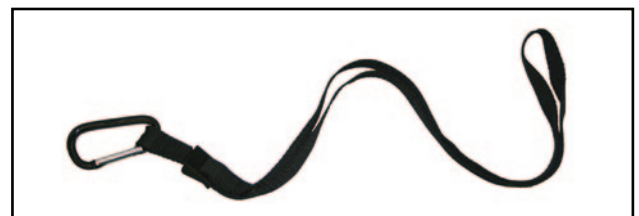
SA - 0018  
4 Jaw Clamp



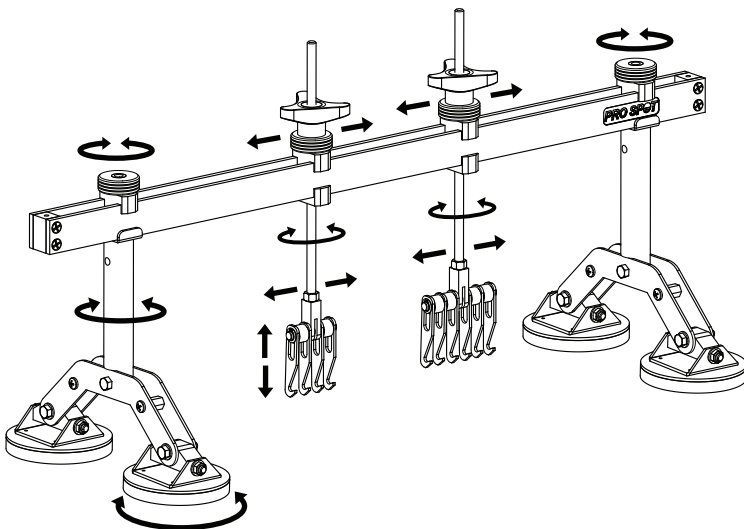
SA - 0017  
6 Jaw Clamp



PR0-66 Pro Pull Dent Puller (optional)



Vertical Mounting Straps 2 ea.  
90-0032



Pro Spot International, Inc. U.S.A.  
Toll Free: 1 877 PRO SPOT

Phone: 760-407-1414  
Fax: 760-407-1421  
E-Mail: info@prospot.com  
WEB: www.prospot.com