

**PRO SPOT**  
QUALITY WELDING SYSTEMS



# i5s SMART SPOT WELDING SYSTEM

With the ERGO LIFT ASSIST™  
Motorized Boom

**i5s**



Perfectly Balanced Gun



Full Rotation



Access Any Area



360° Arm Rotation

### i5s - SMART SPOT WELDING SYSTEM

The new Pro Spot i5s Smart Spot Welding System comes equipped with the industry's most advanced adaptive auto welding technology and robust on-board training resources. The i5s advanced welding control system senses, reacts and adjusts welding energy based on material composition, thickness and resistance properties in real-time.

#### FEATURES:



**PATENTED NEXT GENERATION AUTO WELDING TECHNOLOGY**  
Transformer Gun Spot Welder, Water Cooled to the Tips



**PRELOADED ON-BOARD WELDING PROGRAMS & DYNAMIC TRAINING MATERIALS**  
Knowledge Center for Quick and Effective Training



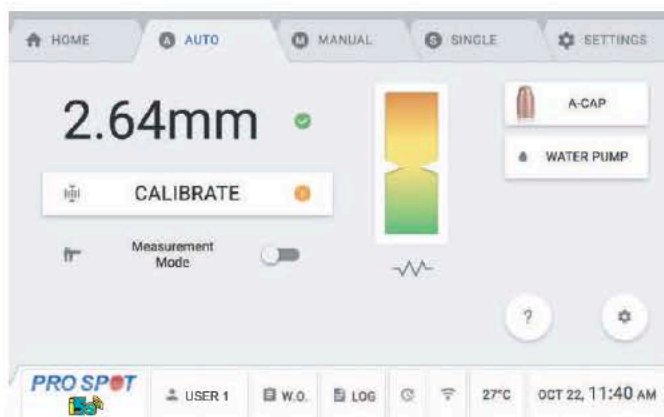
**BUILT-IN WI-FI, SMART SOFTWARE & DATA TRANSFER**  
Instant Software Updates, Ability to Email Welding Logs



**ON-GUN DISPLAY WITH FINGERTIP CONTROLS**  
Quickly Adjust Settings, Increase Productivity

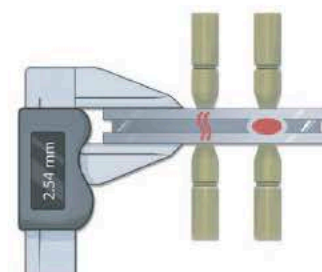


**ERGONOMIC, WELL BALANCED GUN, EASY TO USE**  
Free Movement with Dual Action Rotation - Limitless Positioning of Gun and Arms



### AUTO WELDING TECHNOLOGY

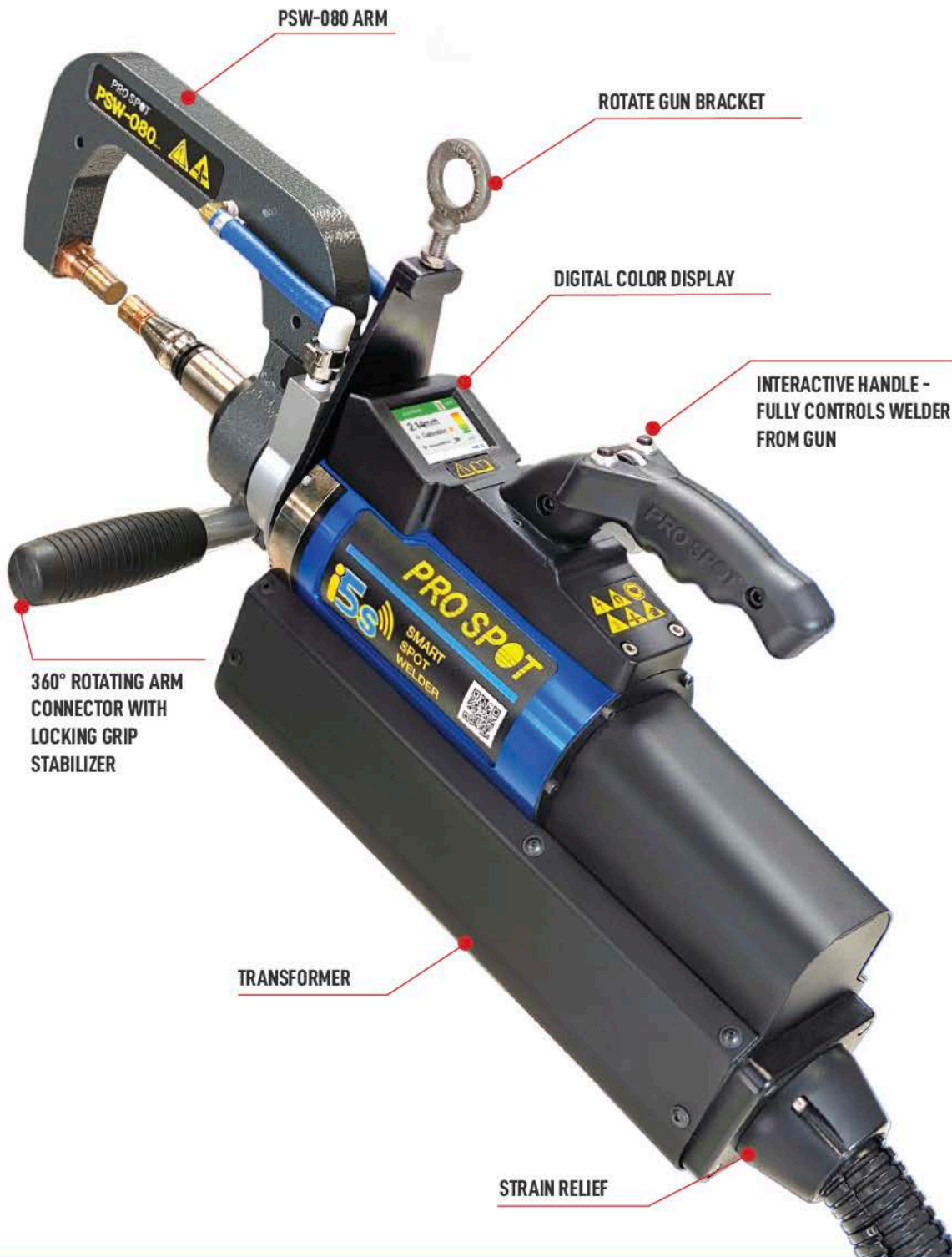
The i5s comes with the latest Auto Welding technology. When using the Auto Weld Mode, the i5s quickly measures the metal thickness using the latest optical technology and senses the material types and thickness and delivers the correct energy throughout the weld nugget formation to ensure a true quality weld.



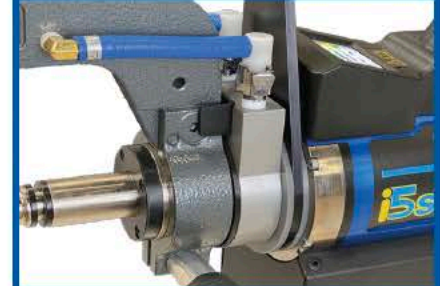
# AMERICAN MADE. GLOBALLY TRUSTED.

## NEWLY DESIGNED TRANSFORMER GUN

The new Pro Spot i5s Transformer Gun is lightweight, ergonomic, maneuverable, versatile and easy-to-use. It features a unique digital display, as well as fingertip controls allowing technicians to view and change settings on the go without returning to the welder and delaying the repair. Superior design allows for quick and easy arm changes. The 360° rotating arm provides a full range of motion, allowing technicians to access any spot on a vehicle effortlessly.



Transformer Gun Display



Quick-Connect Arm Changes



Rotating Boom Bracket



360° Rotating Weld Arms



Water Cooled Weld Arms



Finger Tip Controls

# ERGO LIFT ASSIST™



Made in the USA

The revolutionary Pro Spot Ergo Lift Assist™ System (ELA) is the tallest and most versatile motorized boom mechanism for spot welding applications. Designed to reach higher (9'/2.75m) and lower (60"/1.5m) than most conventional booms, the ELA makes spot welding any area on today's high reach / wide footprint vehicles accessible and ergonomically friendly.



9' MAX HEIGHT, 5' MIN HEIGHT, 51" REACH



EASY MOVEMENT BETWEEN VEHICLES



PIVOTS LEFT TO RIGHT 180°



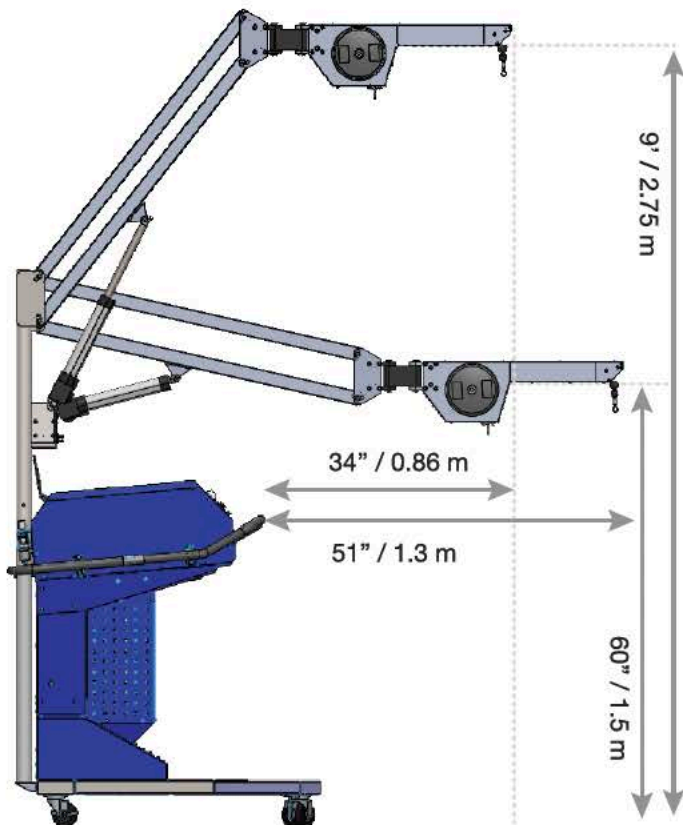
BALANCED AND SAFE



FITS THROUGH DOORWAYS



ERGONOMIC



## TECHNICAL SPECIFICATIONS

Weight:	52 lbs / 23.5 kg
Height (fully extended):	9' / 2.75 m
Height in the lowest position:	60" / 1.5 m
Reach (fully extended):	34" / 0.86 m
Reach in the lowest position:	51" / 1.3 m

# ERGO LIFT ASSIST™ FEATURES



The tool balancer and pivot arm are uniquely designed to make lifting and holding the weld gun light and easy, no matter the location on the vehicle.



Muscle strain is reduced and injuries are prevented due to the ergonomic design and functionality of the ELA. As a result, job performance and satisfaction are significantly improved.



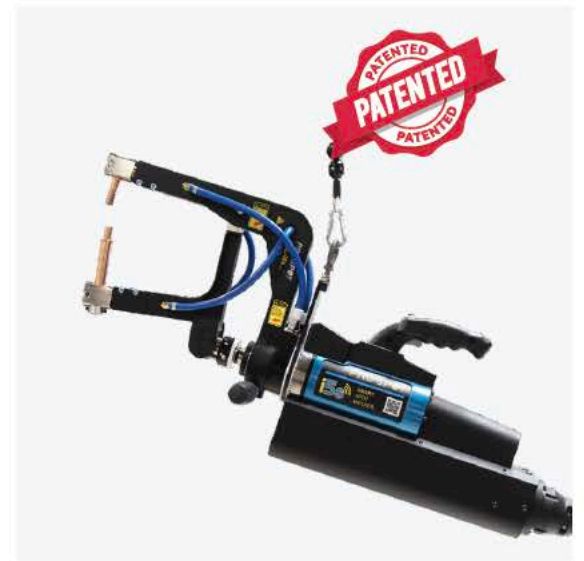
The ELA is powered by either wall outlet or battery power, allowing mobility and boom control anywhere and anytime around the shop without being tethered to an inconvenient electrical outlet.



The extended reach arms allow work to be done far away from the welder, keeping the area around the vehicle clear and accessible.



The ELA engineering solution provides a low center of gravity weight distribution to keep the welder balanced, stable and safe at all limits of the ELA's reach.



Optional patented CXL Arm provides improved vehicle access - especially for roof areas on vans and trucks. Retractable electrode allows wider opening; increased depth for longer reach.

# ARMS AND ACCESSORIES

## INCLUDED



**PSW-520**  
Deep Reach Arm,  
520mm Depth



**PSW-080**  
C-Arm Assembly,  
80mm Extension



**PSW-WH-090**  
Wheelhouse Arm,  
90mm Depth



**PS-032**  
Weld Cap  
Female .375" Cap



**PS-036**  
Weld Cap  
Male .375" Cap



**PS-038**  
Weld Cap  
Female Honda Cap

## OPTIONAL



**PS-022**  
Weld Cap  
Female B-Cap



**PS-023**  
Weld Cap  
Female F-Cap



**PS-024**  
Weld Cap  
Male A-Cap



**PS-025**  
Weld Cap  
Female A-Cap



**PS-035**  
Weld Cap  
Male F-Cap



**PS-039**  
Weld Cap  
Male Honda Cap



**PLT Series**  
Tip Dresser



**CX-i5s Arm**  
Offers Full Force  
Welds in Auto Mode



**CXL-i5s Arm**  
Horizontal Weld  
Capability



**PSW-406**  
Deep Reach Arm,  
406mm Depth



**PSW-600**  
Deep Reach Arm,  
600mm Depth

## i5s TECHNICAL SPECIFICATIONS

<b>Input Voltage:</b>	3 Phase 208 - 240V 50/60HZ 400 - 480V 50/60HZ	<b>Liquid Cooling System:</b>	Radiator/Pump Active Loop Cooled To Electrode Tips
<b>Welding Amperage:</b>	14,500 Amps (DC)	<b>Microprocessor:</b>	Wirelessly Upgradeable Software Platform
<b>Cable Length:</b>	Power Cable 30' (10m) Weld Cable 16.4ft (4.9m)	<b>Protection:</b>	IP 21
<b>Electrode Force:</b>	1,240 lbs (565 daN)	<b>System Weight:</b>	385 lbs.



Made in the USA

Pro Spot International, Inc.  
5932 Sea Otter Place  
Carlsbad, CA 92010  
www.PROSPOT.com  
info@prospot.com  
+1-760-407-1414  
BR0-i5s-A3