



# Component List Rev.E v.1.1

\*\*The Pro Spot i5 comes with below listed parts except for parts listed as "Optional"

# PRO SPOT

ORDER ONLINE @ [store.prospot.com](http://store.prospot.com)



### SHIPPING DATA

Dim: 38" x 47" x 54.5"  
Weight: 406 Lbs.

i5 Serial #

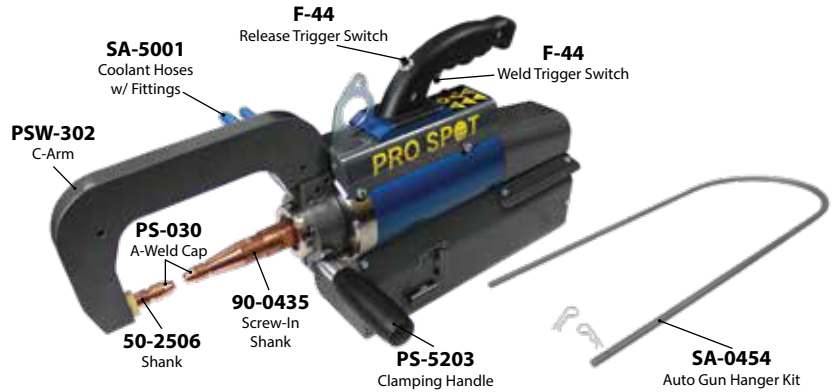
**i5-**

220V  400V  480V

Checked By:

Instruction Manual

## Water Cooled Auto-Gun



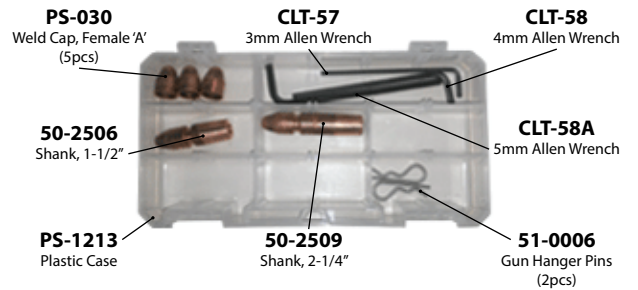
## Drawer Contents

M-275: Shank Pliers



1ea.

## 15 ELECTRODE SHANK KIT (Item# SA-5555)



## WELD COUPONS



50-2008: 18 Gauge Steel - 2" x 8"

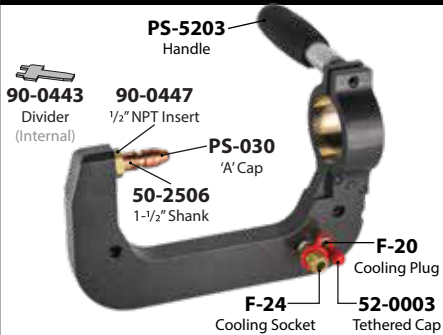
50-2010: 18 Gauge Steel - 2" x 10"

50-2012: 18 Gauge Steel - 2" x 12" (2pcs)

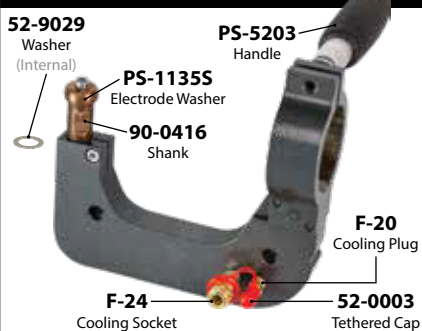
## Standard Arms

PSW-302: 80MM C-Arm

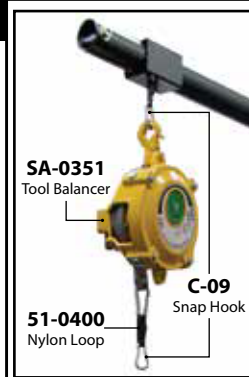
PSW-305: 520mm U-Arm



PSW-52: Wheelhouse Arm



## Overhead Boom



Overhead Hardware	
Hex Bolt	S-141 (x3)
Hex Nut	N-08 (x3)

## Welder Cover

80-0001: Protective Cover



Copyright © 2021 Pro Spot International Inc. Rev.E v.1.0 (3/11/2021)



## OPTIONAL

### Expansion Arm Options

Expand the i5's Spot Welding reach & capability with these optional Quick-Connect Arms, all of which are cooled to the tip.



**CX-i5**  
C-X Arm

Access those hard-to-reach areas, like Pinch Rails, Frame Rails and B-Pillars with full force squeeze pressure. This patented C-X style arm is a must have in today's body shop.

### 5RW Weld Caps & Tip Dressers

All general purpose and OEM approved weld caps are sold in 15pk quantities.

FEMALE ♀	<b>PS-030</b> 'A' Cap	<b>PS-027</b> 'B' Cap	<b>PS-029</b> 'F' Cap	<b>PS-033</b> .375" Cap	<b>PS-040</b> Honda Cap
	<b>PS-031</b> 'A' Cap		<b>PS-034</b> 'F' Cap	COMING SOON	COMING SOON
MALE ♂					
TIP DRESSER	<b>PLT-52/A</b> 'A' Cap	<b>PLT-51/A</b> 'B' Cap		<b>PLT-47/A</b> .375" Cap	<b>PLT-43/A</b> Honda Cap
REPLACEMENT BLADE	<b>50-9030</b> 'A' Cap	<b>50-9027</b> 'B' Cap		<b>50-9026</b> .375" Cap	<b>50-9040</b> Honda Cap

### Single Sided Welding Adapter

Quickly switch from spot welding to single-sided welding with the clamp-on Single-Sided Attachment. The attachment includes an accessory kit opening up the i5 for multiple tasks.

- Spot Hammer Dent Pulling
- Carbon Shrinking
- Contact Shrinking
- Stud Welding
- Washer Welding
- Nut Welding
- Moulding Clip Rivet Welding



(Pro Pull Not Included)

**PS-SS1**  
Single Sided Attachment



**VISIT OUR WEBSTORE  
TO SEE THE LATEST  
PRO SPOT PRODUCTS**