

PHS-101

Components List

Rev. F v1.0

PRO SPOT

ORDER ONLINE @ store.prospot.com



SHIPPING DATA:

Dimensions: 33" x 23" x 50"
Weight: 275lbs. (125 Kg.)

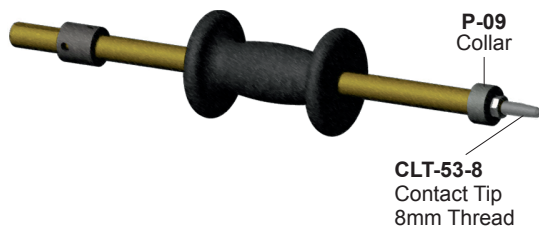
PHS Serial #

PHS-101-

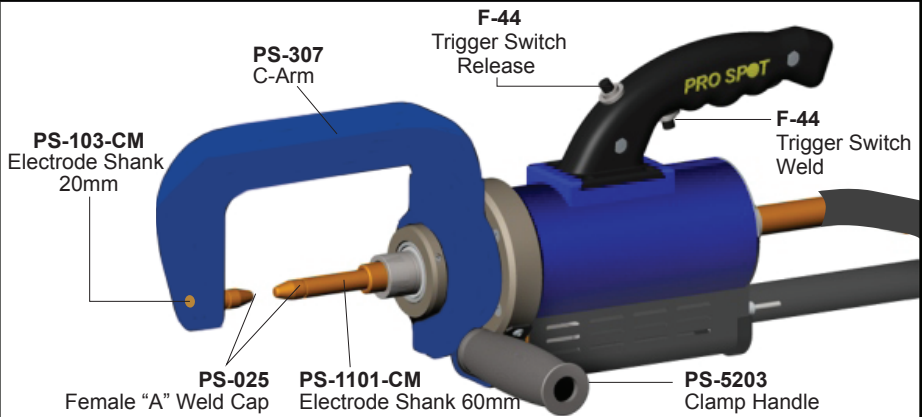
Checked By:

Instruction Manual Lid Decal

CLP-70 Slide Hammer



PS-500 Double-Action Spot Gun



PS-600 High Pressure Spot Gun & Arms

PS-307 80mm Extension Arm



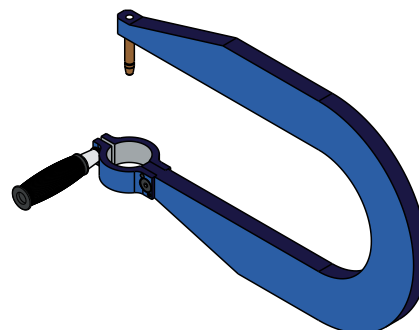
PS-1101-CM 60mm Shank

PS-025 Weld Cap

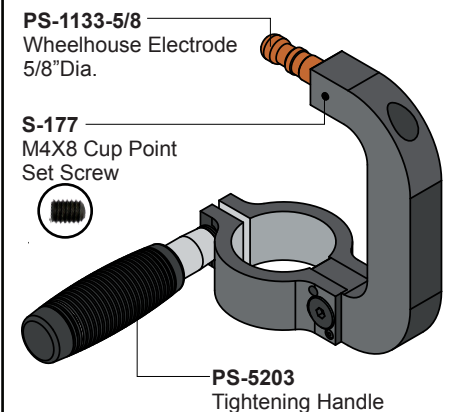
PS-5203 Tightening Handle

PS-308 500mm Extension Arm

PS-308 500mm Extension Arm



PS-52-5/8-A Wheel House Arm



Electrode Reference Chart

Electrode Shank PS-025: Welding Cap



PS-103-CM	← 40 mm* →
PS-102-CM	← 60 mm* →
PS-1101-CM	← 80 mm* →
PS-128-CM	← 100 mm* →
PS-129-CM	← 120 mm* →
PS-130-CM	← 140 mm* →

* length with Welding Cap attached. -20mm w/o cap

SA-0265 Single Sided Gun

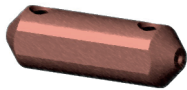


SA-0045 Boom Assembly



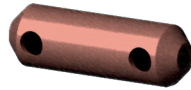
Inside the Tool Tray

PS-820
Nail & 4mm Stud



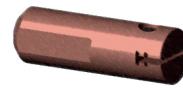
1 pc.

PS-830
5mm & 6mm Stud



1 pc.

PS-840
Washer Adapter



1 pc.

PS-870
Moulding Clip &
Contact Shrinking



1 pc.

IEC Power Cord

- USA.....#69-0002
- Euro.....#69-0135
- China.....#69-0011
- Australia.....#69-0018



50-2012 Weld Coupon, 2"x12"



2 pc.

ACCESSORY KIT

SA-0046 Rev.A

PS-1204
Moulding Clip Rivet



100 pc.



- CLT-54** Allen Wrench - 2mm 1 pc.
- CLT-57** Allen Wrench - 3mm 1 pc.
- CLT-58A** Allen Wrench - 5mm 1 pc.

CLT-31-CM
Electrode Shank - Single Sided



1 pc.

PS-1101-CM
60mm Electrode Shank



1 pc.

PS-1201
Weld-On Bolt
M5x12 Coarse



50 pc.

CLT-44
Weld-On Nut, 6mm



20 pc.

PS-210
Nail 2.5 x 50mm



50 pc.

PS-025
Weld Cap, A-Cap



7 pc.

PS-1202
Weld-On Bolt
M6x12



50 pc.

PS-230
Weld-On Bolt
M5x18 Coarse



50 pc.

CLT-47
Weld-On Washer



50 pc.

CLT-53B
Spot Hammer Contact Tip



1 pc.

OPTIONAL

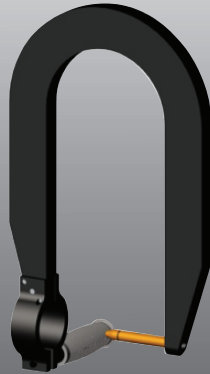
80-0001

Protective Cover



PS-503-W

Extension Arm 600mm



PS-306/A

Extension Arm 280mm



CX-i4

C to X Adapter



PRO-66

Pro Pull Dent Puller

