

Model : NP-3

Components List



SHIPPING DATA:

Welder Box
Dimensions: 22" x 14" x 12"
Weight: 27lbs. (12 Kg.)

Cart Box
Dimensions: 28" x 18" x 8"
Weight: 55lbs. (25 Kg.)

NP-3 Serial #

Checked By:

Instruction Manual

90-0601 : Iron Heat Shield



1 ea.

90-0521 : Iron Holster



1 ea.

90-0583 : Heat Gun Heat Shield



1 ea.

90-0520 : Heat Gun Holster



1 ea.

S-44 : Mounting Screws



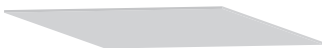
4 ea.

W-15 : 1/4" Flat Washer



4 ea.

50-3201 : Polypropylene Sheet - 1/8" Thick - 12" x 6"



2ea.

Box 1 Contents

Torches and Cables

SA-0088 : NP-3 Torch 115v



1 ea.

85-3115 : Solder Iron 115v



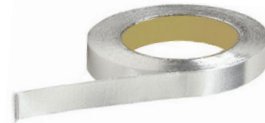
1 ea.

90-0603 : Iron Tip



1 ea.

50-3900 : Aluminum Tape



1 ea.

69-0002: 10ft Power Cord



1 ea.

SA-0123 : Nitrogen Regulator



1 ea.

50-0001 : Emery Cloth Tape



1 ea.

Included Plastics / Consumables

50-3001 : Polypropylene Rod, 3/16" - Natural - 1/2 lb



1ea.

50-3002 : ABS Rod, 1/8" - Black 1/2 lb



1ea.

50-3003 : Universal Welding Ribbon, 3/8" x 1/16" - Black 1/2 lb



1ea.

50-3101 : Polypropylene Ribbon, 3/4" x 1/16" - Natural - 1/2 lb



1ea.

50-3102 : TPO Ribbon, 3/8" x 1/16" - Gray 1/2 lb



1ea.

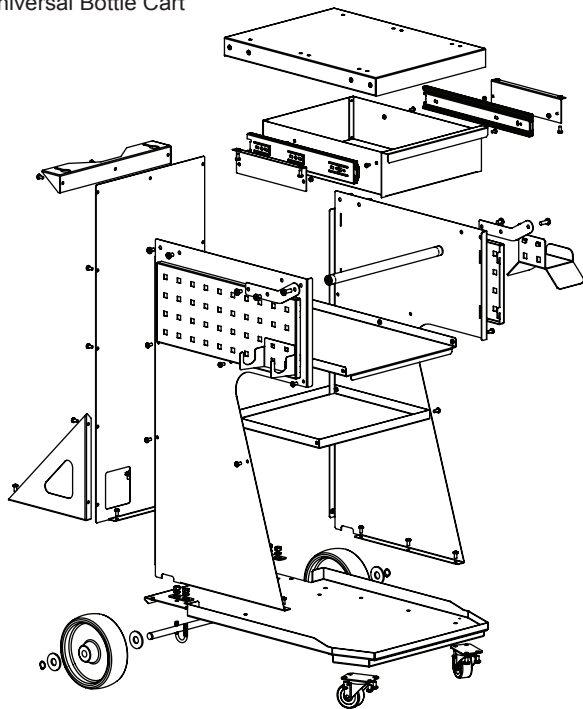
Model : NP-3

Components List

PRO SPOT
ORDER ONLINE @ shop.prospot.com

Box 2

SA-0089 : Universal Bottle Cart



90-0549 : Mounting Bracket for NP-3



1 ea.

S-97 : Hardware for Mounting Bracket



4 ea.

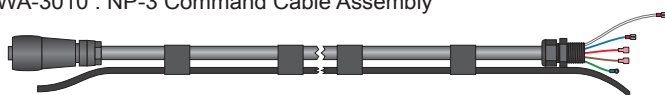
M-88 : 28" MIG Chain



1 ea.

Optional Accessories / Replacement Parts

WA-3010 : NP-3 Command Cable Assembly



53-0003 : 3" Torch Nozzle



82-0550 : 550 Watt Heat Element 120v



90-0772 : 1/8" Speed Welding Tip



**Optional*

90-0773 : 3/16" Speed Welding Tip



**Optional*

HSW-200 Hot Staple Welder

6 Types of Staples

Plugs Directly into the NP-3 Front Panel or any 12v/110v or 220v Outlet

