

Model : DE-BL

Hand Block Dust Free - Components List

PRO SPOT

ORDER ONLINE @ shop.prospot.com



SHIPPING DATA:

Dimensions: 24" x 13" x 31"
Weight: 32lbs. (14.5Kg.)

DE-BL Serial #

Checked By:

Dust-Free Sanding System

84-6002 : Hand Block



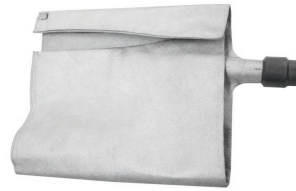
1 ea.

84-6004 : Anti-Static Hose Assembly



1 ea.

84-6011 : Anti-Static Vacuum Bag



1 ea.

SA-0505 : Sander Head Holder & Hose Hanger



1 ea.

WA-0100 : Ground Adapter



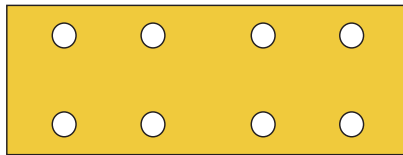
1 ea.

84-6012 : Filter



1 ea.

2-3/4"

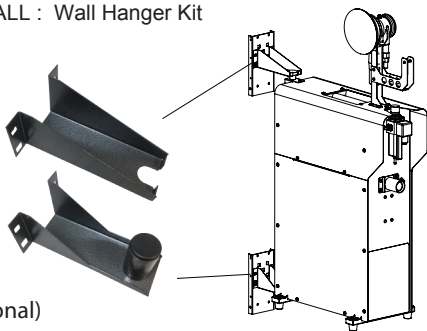


7-3/4"

- 50-4005-080 : Sanding Pad 2-3/4" X 7-3/4" (70X198MM), 80 Grit, 8-Hole, 50PK
- 50-4005-120 : Sanding Pad 2-3/4" X 7-3/4" (70X198MM), 120 Grit, 8-Hole, 50PK
- 50-4005-180 : Sanding Pad 2-3/4" X 7-3/4" (70X198MM), 180 Grit, 8-Hole, 50PK
- 50-4005-240 : Sanding Pad 2-3/4" X 7-3/4" (70X198MM), 240 Grit, 8-Hole, 50PK
- 50-4005-320 : Sanding Pad 2-3/4" X 7-3/4" (70X198MM), 320 Grit, 8-Hole, 50PK
- 50-4005-400 : Sanding Pad 2-3/4" X 7-3/4" (70X198MM), 400 Grit, 8-Hole, 50PK

(optional)

DE-WALL : Wall Hanger Kit



(optional)

1 Set.