



Component List Rev. B

***The Pro Spot i4s comes with below listed parts except for parts listed as "Optional"*

PRO SPOT

ORDER ONLINE @ store.prospot.com/



i4s Serial # Checked by:

PS-3201-3 Single-Sided Gun Assembly



CLP-70 Spot Hammer

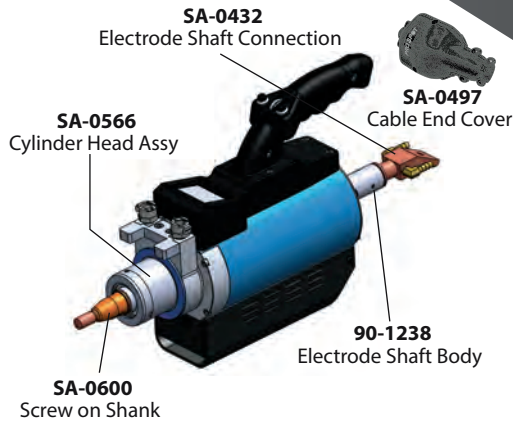


SA-0612 Tool Balancer 8-10kg



SHIPPING DATA:
Dimensions: 48" X 40" X 60"
Weight:

PS-700W Spot Welding Gun, Liquid Cooled



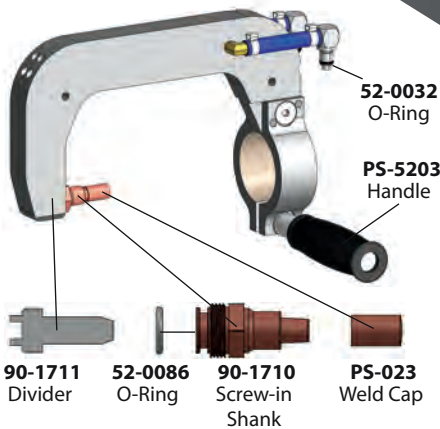
80-0001 Welder Cover



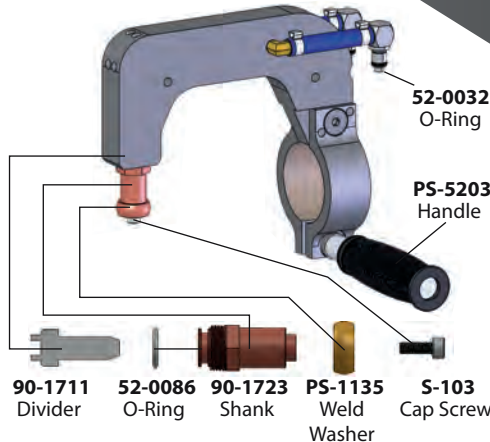
SA-0579 Overhead Boom



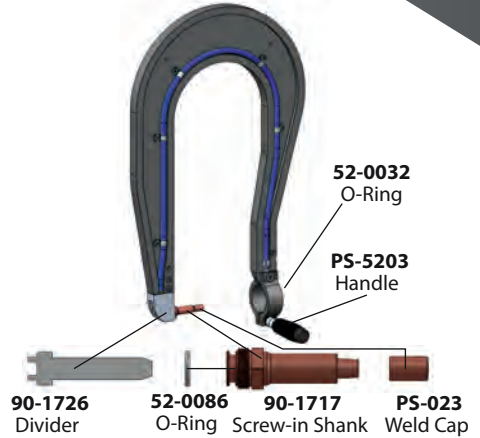
PSW-080 C-Arm Assembly, 80mm Extension

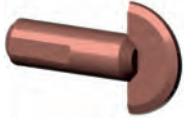







PSW-WH-090 Wheelhouse Arm, 90mm Depth



PSW-520 Extension Arm, 520mm Depth



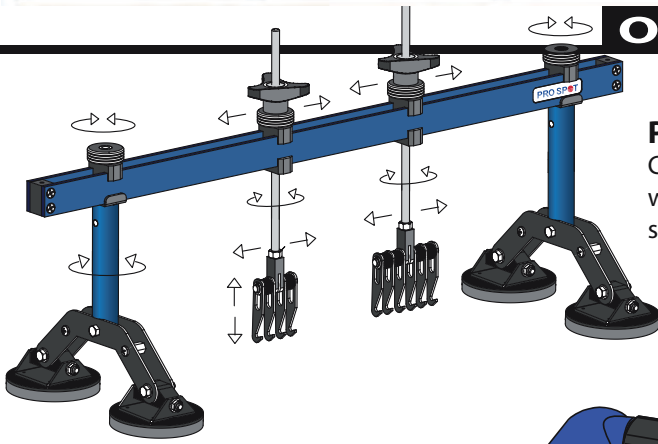
CLT-33 Stitch Electrode <input type="checkbox"/>  1 pc.	PS-820 Nail & 4mm Stud <input type="checkbox"/>  1 pc.	PS-830 5mm & 6mm Stud <input type="checkbox"/>  1 pc.	PS-840 Washer Adapter <input type="checkbox"/>  1 pc.	PS-870 Moulding Clip & Contact Shrinking <input type="checkbox"/>  1 pc.	50-2010 Weld Coupon, 2"x10" <input type="checkbox"/>  2 pc.
---	---	--	---	---	--

i4s ACCESSORY KIT

SA-0611 Rev.D

PS-1204 Moulding Clip Rivet  100 pc.	CLT-54 Allen Wrench - 2mm 1 pc. 85-0002 Allen Wrench - 2.5mm 1 pc. CLT-57 Allen Wrench - 3mm 1 pc. CLT-58A Allen Wrench - 5mm 1 pc.	CLT-53B 1 pc. Spot Hammer Contact Tip 	CLT-31-CM Electrode Shank - Single Sided 		
PS-1201 Weld-On Bolt M5x12 Coarse  50 pc.	CLT-44 Weld-On Nut, 6mm  20 pc.	PS-210 Nail 2.5 x 50mm  50 pc.	52-0086 5 pc. O-Ring - Arm Side 52-0093 5 pc. O-Ring - Gun Side 	PS-025 Weld Cap, A-Cap  7 pc.	
PS-1202 Weld-On Bolt M6x12  50 pc.	PS-230 Weld-On Bolt M5x18 Coarse  50 pc.	CLT-47 Weld-On Washer  50 pc.	90-1385S Wheelhouse Electrode Washer-1.394"OD  1 pc.	PS-032 Weld Cap  6 pc.	PS-023 Weld Cap, F-Cap  6 pc.

OPTIONAL



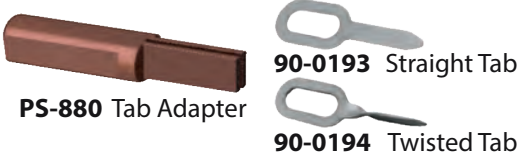
Pull Bar
Controlled pulls are made easy with the Pull Bar dent pulling system.

- PB-10 Four-Footed
- PB-11 Two-Footed



Pro Pull PRO-66
Pro Spot's patented tool for fast and accurate dent pulling.

Weld Tab Dent Pulling
Expand your Single-Sided welding capabilities.



Electrode Tip Dresser
Extend the life of weld caps with Pro Spot's pneumatic tip dresser.

- PLT-49/A F-Cap Dresser
- PLT-50/A A-Cap Dresser



CX-i4s Arm