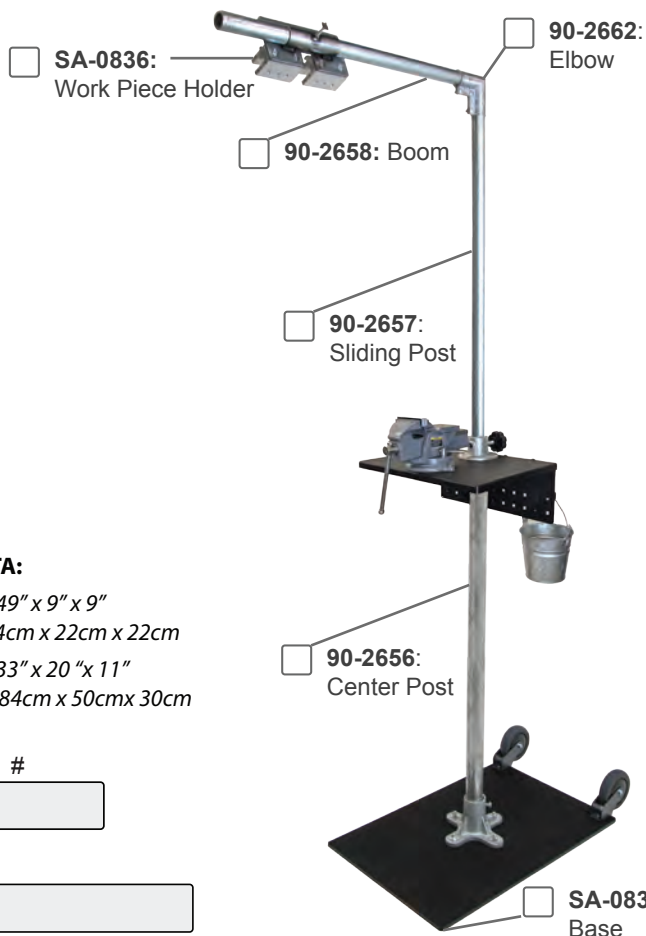


Model: PRO-WTS-11

Component List CL-PRO-WTS-11 Rev 1.0

PRO SPOT

ORDER ONLINE @store.prospot.com



SHIPPING DATA:

Box 1: 21 lbs / 49" x 9" x 9"
9.5kg 124cm x 22cm x 22cm

Box 2: 65 lbs / 33" x 20" x 11"
29.5 kg / 84cm x 50cm x 30cm

PRO-WTS-11 #

Checked By:

PRO-WTS-11 Includes

85-0591: Vise
3" Swivel with Anvil



1ea.

51-0182: Galvanized
Steel Pail, .5 Gallon



1ea.

90-0197S: Single Hook



1ea.

51-0192: Knob



1ea.

51-0318: Digital
Caliper With Case



1ea.

52-0133: Shank Plier



1ea.

90-2651:
Slider Sleeve



1ea.

SA-0838: Table



1ea.

MNL-PRO-WTS-11:
Manual



1ea.

90-0211S: Snap Hook



3ea.

85-9029: Metal
Gauge Tool



1ea.