

# Model: MWS-ST Rev C.

Components List CL-MWS-ST Rev.C

# PRO SPOT

ORDER ONLINE @ [store.prospot.com](http://store.prospot.com)

## Included



PR-3 Auto Serial #

Checked By:

PR-3: MULTI-TASK WELDER



1 ea.

MNL-PR-3: Instructional Manual



PB-10: Pull Bar Dent Pulling System



1 ea.

SA-0154: T-Dent Handle (8' Cable)



1 ea.

CLT-34: Ground Plate



1 ea.

PRO-66: Pro Pull, Dent Puller



1 ea.

CLP-70: Spot Hammer Assembly



1 ea.

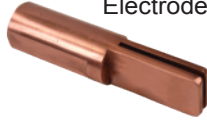
## Included in Accessories Kit

SA-0157: Weld-On Ground  
90-0774



1 ea.

PS-880: Pull Key  
Electrode



1 ea.

PS-820: 4mm Stud  
Holder Electrode



1 ea.

PS-830: 6mm Stud  
Holder Electrode



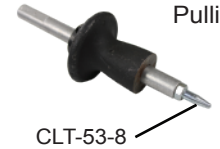
1 ea.

SA-0028: Single Pull Leg Kit



1 ea.

CLP-110: Weld-on Shaft Dent  
Pulling Kit



1 ea.

CLT-29: Carbon  
Electrode



1 ea.

PS-840: Washer Adapter



1 ea.

50-0580: Cleaning Brush



3 ea.

85-1277: Steel Hammer & Dolly  
Set



7 pc

PS-870: Rivet Holder



1 ea.

CLT-33: Stitch Weld  
Electrode



1 ea.

CLP-73: Lever Bar



1 ea.

SA-0152: 16" Weld-on Shaft



90-0981

1 ea.

SA-0151: 9" Weld-on Shaft



90-0981

1 ea.

# Model: MWS-ST Rev C.

## Components List CL-MWS-ST Rev.C

### Included

**85-3088:** Air Grinder



1 ea.

**85-9559:** Abrasive Disk Holder, 2" Diameter



1 ea.

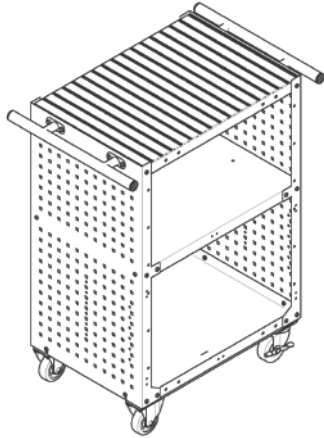
**85-9578:** Abrasive Disk, 2" Diameter



5 ea.

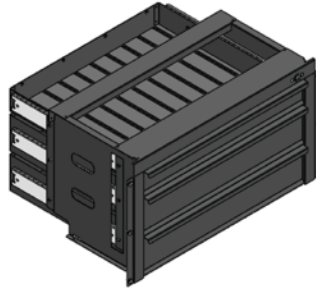
### CART ASSEMBLY AND MOUNTING ACCESSORIES

**SA-0706 :** Basic Cart, Short 3.5" Casters, MWS-G2



1 ea.

**SA-0666-BOTTOM:** Modular Drawer Kit



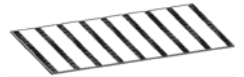
1 ea.

**63-0033:** 110V Power Strip, 6-Outlet, 2-USB



1 ea.

**90-2556:** Rubber Mat, MWS w/Toolboard



1 ea.

**52-3211:** License Plate Nut



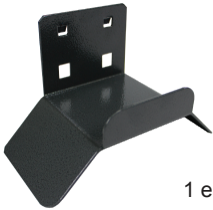
8 ea.

**S-1212:** #12 x 1/2" Phillips Screw



8 ea.

**90-0243:** Cable Hook



1 ea.

**90-0207:** Heat Gun/ Drill Hook



1 ea.

**90-0197:** Single Hook



4 ea.

**90-0198:** Tool Board Attachment



1 ea.

**90-0199:** Gun Hook



1 ea.

**90-0211:** Snap Hook



3 ea.