

PRO SPOT

QUALITY WELDING SYSTEMS

PR-8D Multi-Function Riveting System

- Set Exact Force: 20-80kN range •
- Data Logging For Capturing Quality Rivets •
- Battery Operated (Lithium-Ion) •
- Wirelessly Adjust Setting Via Bluetooth •



APPLICATIONS:

- Self Piercing Rivets (SPR)
- Rivet Removal
- Solid Rivets
- Flow Form
- Blind Rivets
- Calibrating
- BOM Rivets
- Flattening
- Pin & Collar

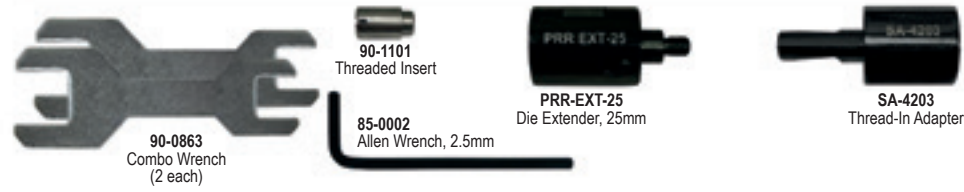
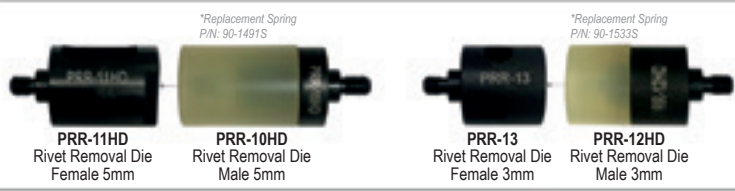
PRO SPOT



APPLICATIONS DIES



REMOVAL DIES




STANDARD DIE KIT

The standard die kit included with the PR-8D is collection of versatile dies that lend themselves to multiple applications. Changing dies is as easy as turning a screw.

PR-8D MULTI-FUNCTION RIVETING SYSTEM

Cold joining technology has reached the next level. The cordless PR-8D Rivet Gun System performs multi-function processes on heat-sensitive materials or multi-material stackups using brains & brawn. The intelligent on-board system allows users to configure the tool in hand or remotely using any supported device.

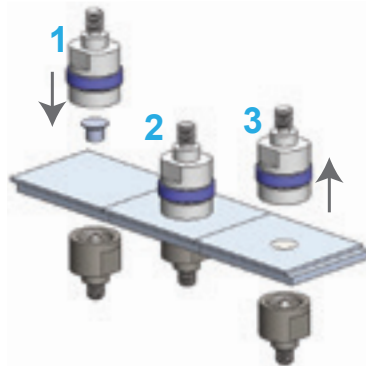
FEATURES:

- Set EXACT FORCE within the tool's 20-80kN range
- Data logging captures proof of quality work
- Set warning tones to alert of incorrect rivet set
- Set safety measures
- Wireless settings adjustments via Bluetooth 

APPLICATION PROCEDURES:

Installing Self-Piercing Rivets (SPR)

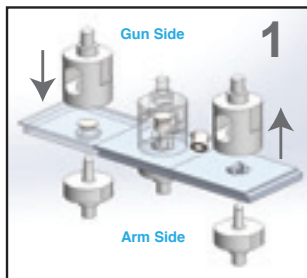
1. Align the removal dies in the center of SPR.
2. Complete pressure cycle so the male rivet die pushes the SPR through the base materials into the forming die.
3. Proceed to next rivet.



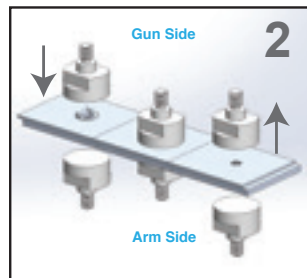
Final Application

Flow Form Rivets / Solid Rivets Process:

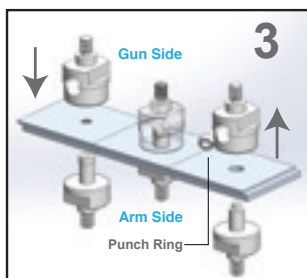
Rivet Removal



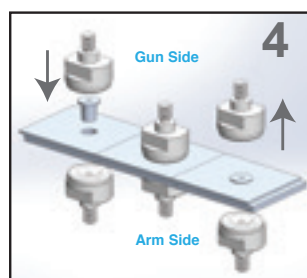
Flattening



Punch Calibration

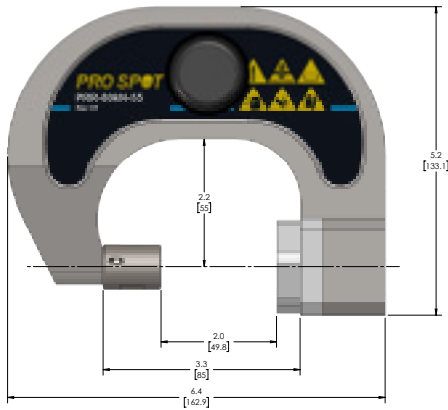


Rivet Installation

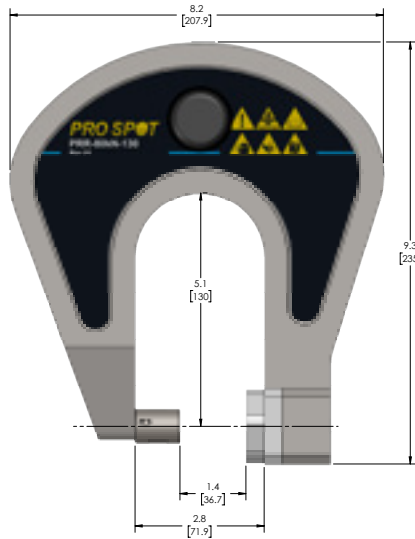


RIVETING ARMS:

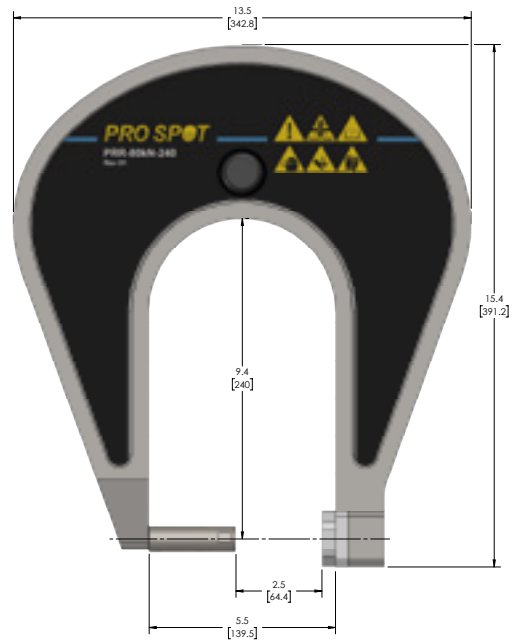
- Quick change design allows arms to be changed in seconds
- Removable handle can be used on the left or right side
- Self-centering feature keeps ram inline
- 360° pivot action around the nose



**PRR-80kN-55
(Standard)**



**PRR-80kN-130
(Optional)**



**PRR-80kN-240
(Optional)**

BLIND RIVET ADAPTER

With the assistance of a copuler, the patented PR PA20 Blind Rivet adapter enables the PR-8D to set blind rivets at 20kN force.



EASY MANEUVERING HANDLE

Removable handle designed to easily balance and maneuver the Rivet Gun. The handle can be moved and used on either side.



LITHIUM ION BATTERIES & CHARGER

PR-8D Riveting System includes two 18V Lithium-Ion batteries & a battery charger. Each battery provides approximately 250 cycles on a full charge. The battery charge docking station will fully charge a battery in 2 Hours.



PRR-22 - BATTERY CHARGER
Full Charge in 2 Hours



PRR-21 - BATTERIES
18V Lithium-Ion Batteries

PR-8D TECHNICAL SPECIFICATIONS

Performance Specs:	Force Range: 20-80kN	Power Source:	18V Lithium-Ion Batteries (2ea)
	Travel: 50mm		Charging Time: 2 Hrs
	Typ. Cycle Time: 3-5 sec		Cycles/Charge: ~250 rivets
Data Transfer:	Bluetooth	Part Number	PR-8D

EMAIL: info@prospot.com

Pro Spot International, Inc. U.S.A. 5932 Sea Otter Place Carlsbad, CA 92010

BRO-PR-8D Rev. 1.0



www.PROSPOT.com
877-PRO-SPOT