

# Model : NP-3

## Components List



**SHIPPING DATA:**

**Welder Box**  
Dimensions: 22" x 14" x 12"  
Weight: 22lbs. (10 Kg.)

**Cart Box**  
Dimensions: 28" x 18" x 8"  
Weight: 44lbs. (20 Kg.)

NP-3 Serial #

Checked By:

Instruction Manual

90-0601 : Iron Heat Shield



1 ea.

90-0521 : Iron Holster



1 ea.

90-0583 : Heat Gun Heat Shield



1 ea.

90-0520 : Heat Gun Holster



1 ea.

S-44 : Mounting Screws



4 ea.

W-15 : 1/4" Flat Washer



4 ea.

**Box 1 Contents**  
**Torches and Cables**

SA-0088 : NP-3 Torch 115v



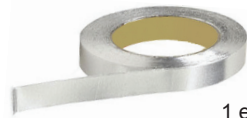
1 ea.

85-3115 : Solder Iron 115v



1 ea.

50-3900 : Aluminum Tape



1 ea.

69-0002 : 10ft Power Cord



1 ea.

SA-0123 : Nitrogen Regulator



1 ea.

50-0001 : Emery Cloth Tape



1 ea.

**Included Plastics / Consumables**

50-3001 : Polypropylene Rod, 3/16" - Natural - 1/2 Lb.



1ea.

50-3002 : ABS Rod, 1/8" - Black 1/2 Lb.



1ea.

50-3101 : Polypropylene Strip, 3/4" x 1/16" - Natural - 1/2 Lb.



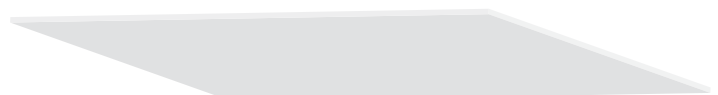
1ea.

50-3102 : TPO Strip, 3/8" x 1/16" - Gray 1/2" Lb



1ea.

50-3201 : Polypropylene Sheet - 1/8" Thick - 12" x 6"



2ea.

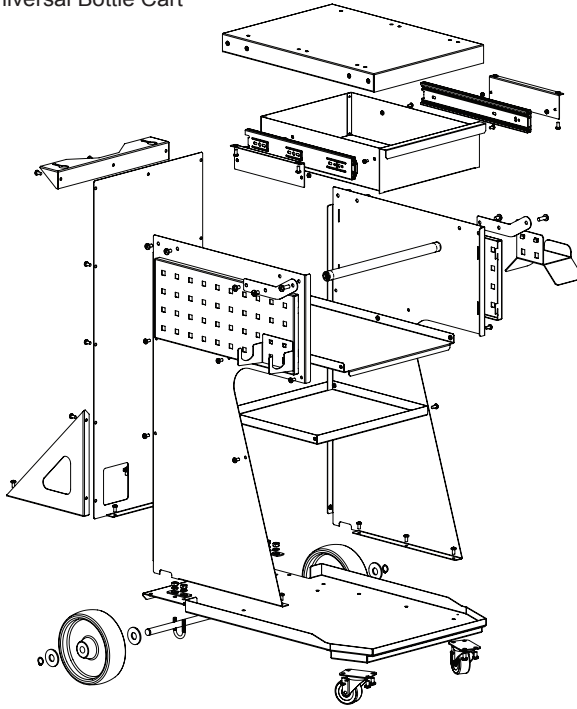
# Model : NP-3

## Components List

**PRO SPOT**  
ORDER ONLINE @ [shop.prospot.com](http://shop.prospot.com)

### Box 2

SA-0089 : Universal Bottle Cart



90-0549 : Mounting Bracket for NP-3



1 ea.

S-97 : Hardware for Mounting Bracket



4 ea.

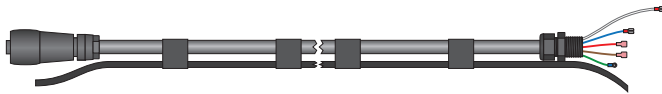
M-88 : 28" MIG Chain



1 ea.

### Optional Accessories / Replacement Parts

WA-3010 : NP-3 Command Cable Assembly



53-0003 : 3" Torch Nozzle



82-0550 : 550 Watt Heat Element 120v



50-7006 : Contact Tip 0.6 mm / 0.023 in

4 Types of Staples

Plugs Directly into  
the NP-3 Front Panel  
or any 12v/110v  
or 220v Outlet

